

# Lukewarmness

1. Compartmentalization
2. Compromise
3. Condemnation
4. Living by feelings
5. Substitution
6. Playing solitaire
7. Excusism
8. Judgmentalism
9. Ignorance
10. Scriptural filters
11. Laziness
12. Unbelief
13. Self-reliance
14. Response determined
15. Prostitution of time
16. Cross, what Cross?

$$\frac{E}{R} = I$$

**Flesh:** Man = E

Circumstances = R

**Spirit:** God = E

Man = R

# Time



PAST

Is. 43:18-19

“Ponder not the past”



PRESENT

The place of worship



FUTURE

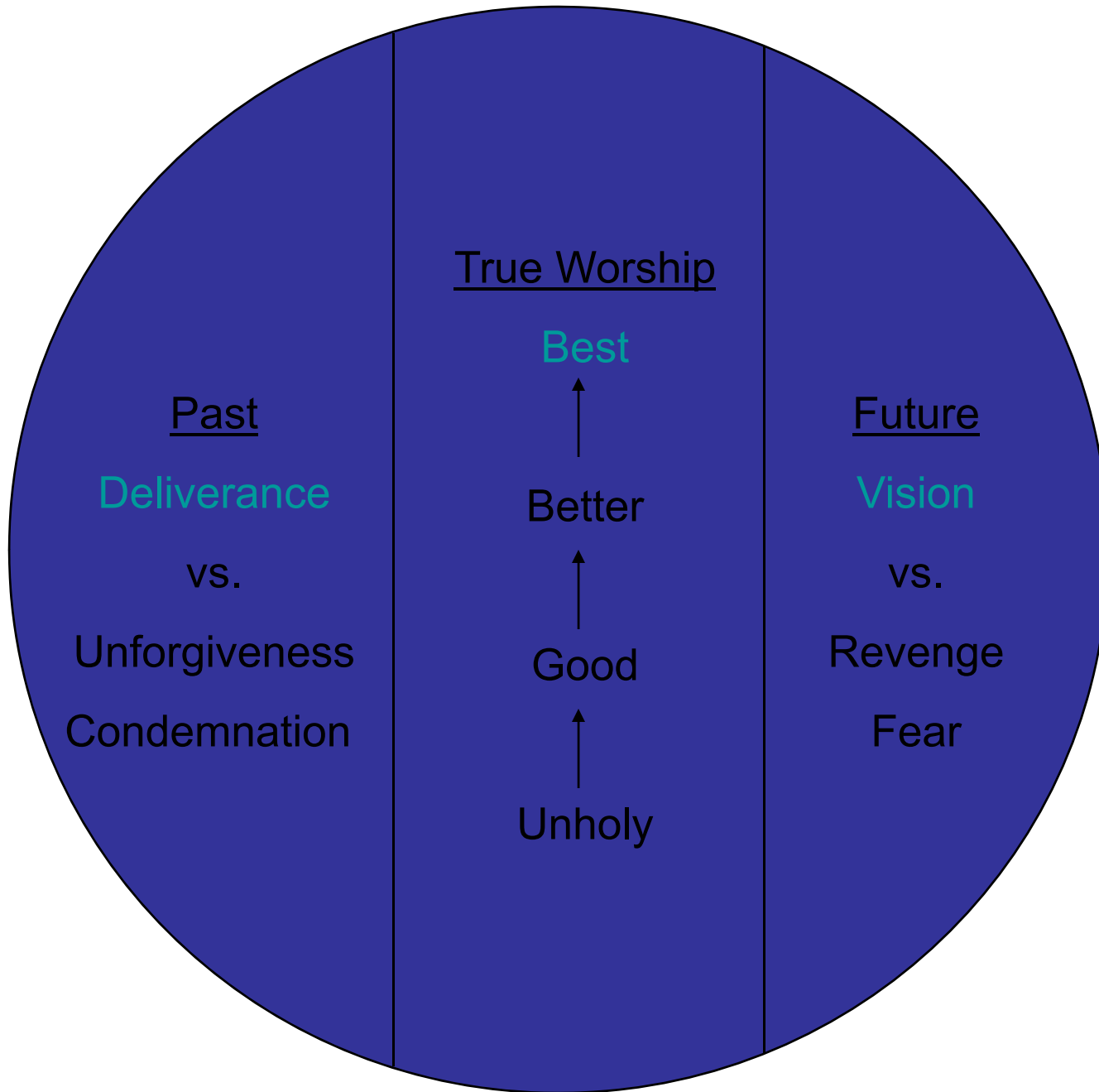
Matt. 6:34

“Take no thought  
of the morrow”

Luke 12:7

“Fear not the future”

# The Precious Present



# Overcoming

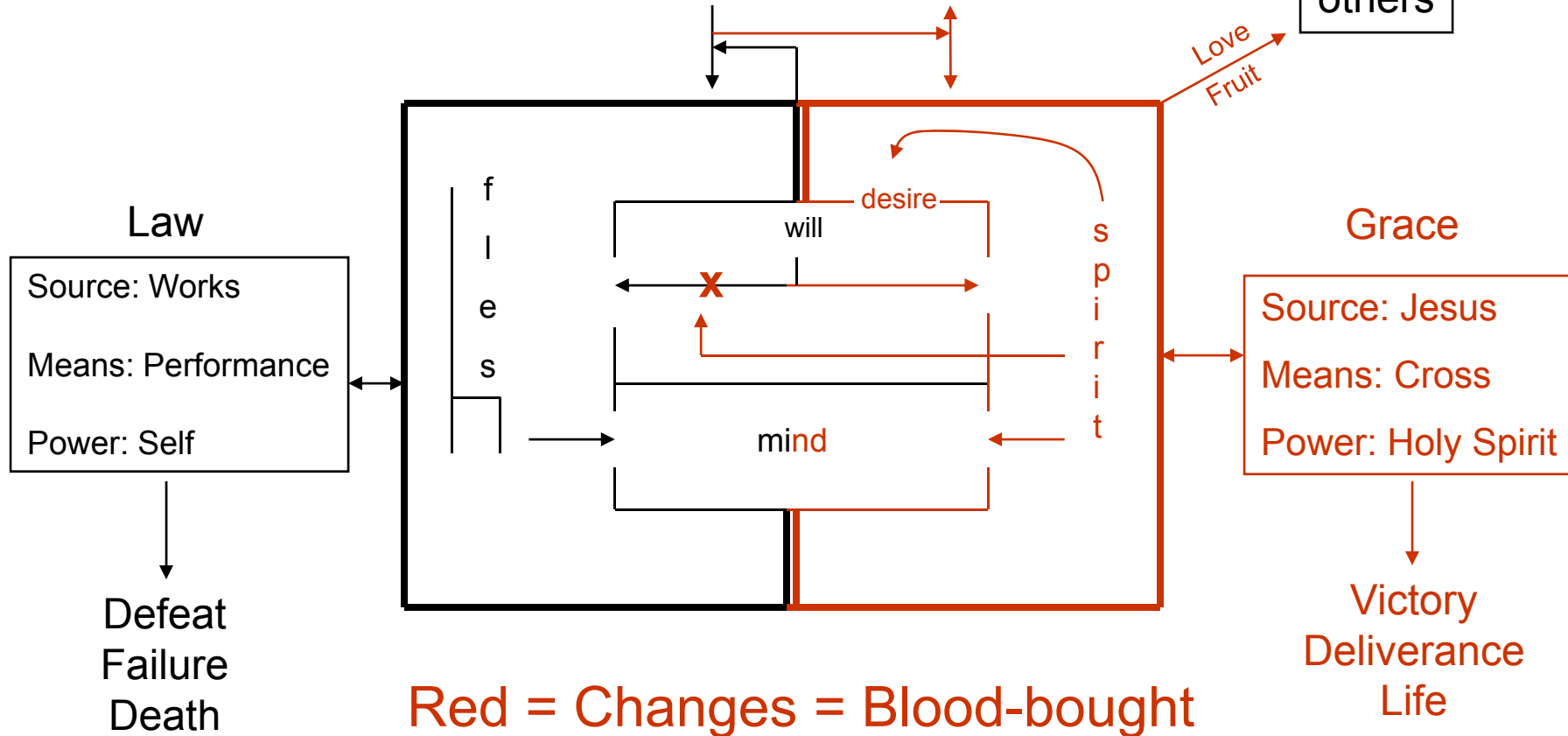
Rev. 12:11 – They overcame the accuser of the brethren by:

1. The blood of the Lamb
2. The word of their testimony
3. They did not love their own lives even unto death

Us = Kingdom Life

God is Love

others



“So this is how change is to occur”

# I Get To:

	<u>Yes</u>	<u>No</u>
Choose	✓	
Not Choose		✓
Choose Choices		✓
Choose Consequences		✓
Choose Both		✓